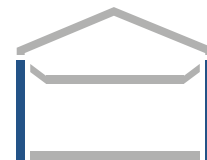


Fire integrity class „D” hall (D1)



Certificate

CE
EN 1090-1

Building fire integrity class

„D”

Standard fire resistance of elements

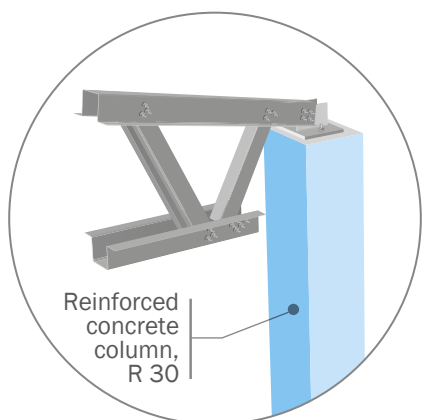
Main load-bearing structure

R 30

Roof structure

-

According to § 216, technical conditions for buildings

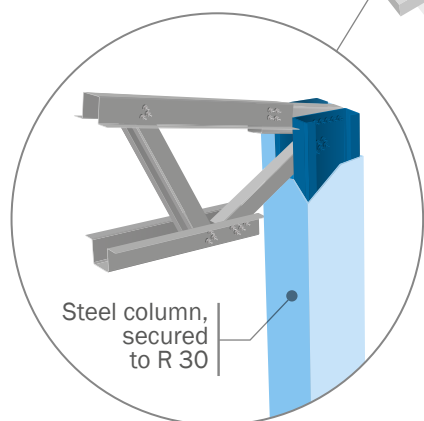


Reinforced concrete column, R 30

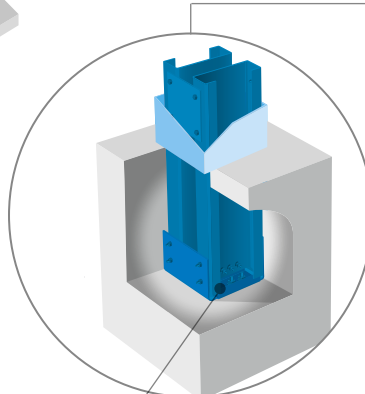
Reinforced concrete column, R 30

Roof structure

Main load-bearing structure, secured to R 30



Steel column, secured to R 30



Restrained in foundation and fixed steel column, secured to R 30.

